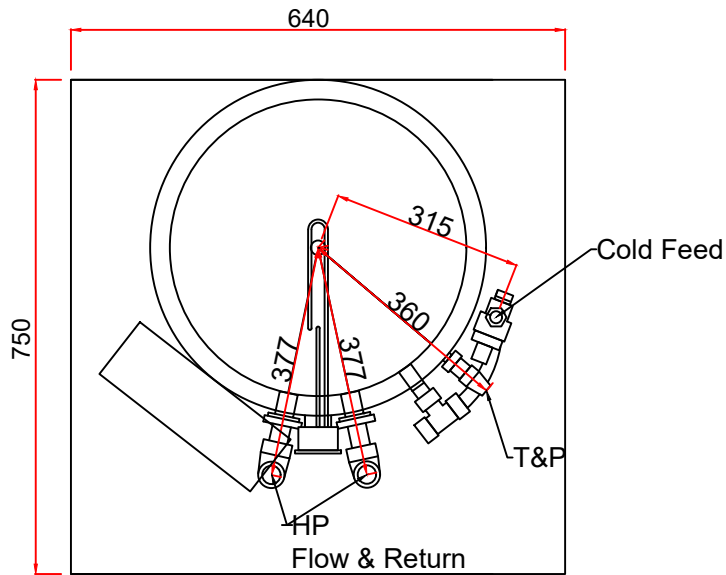


PARTS SUPPLIED:

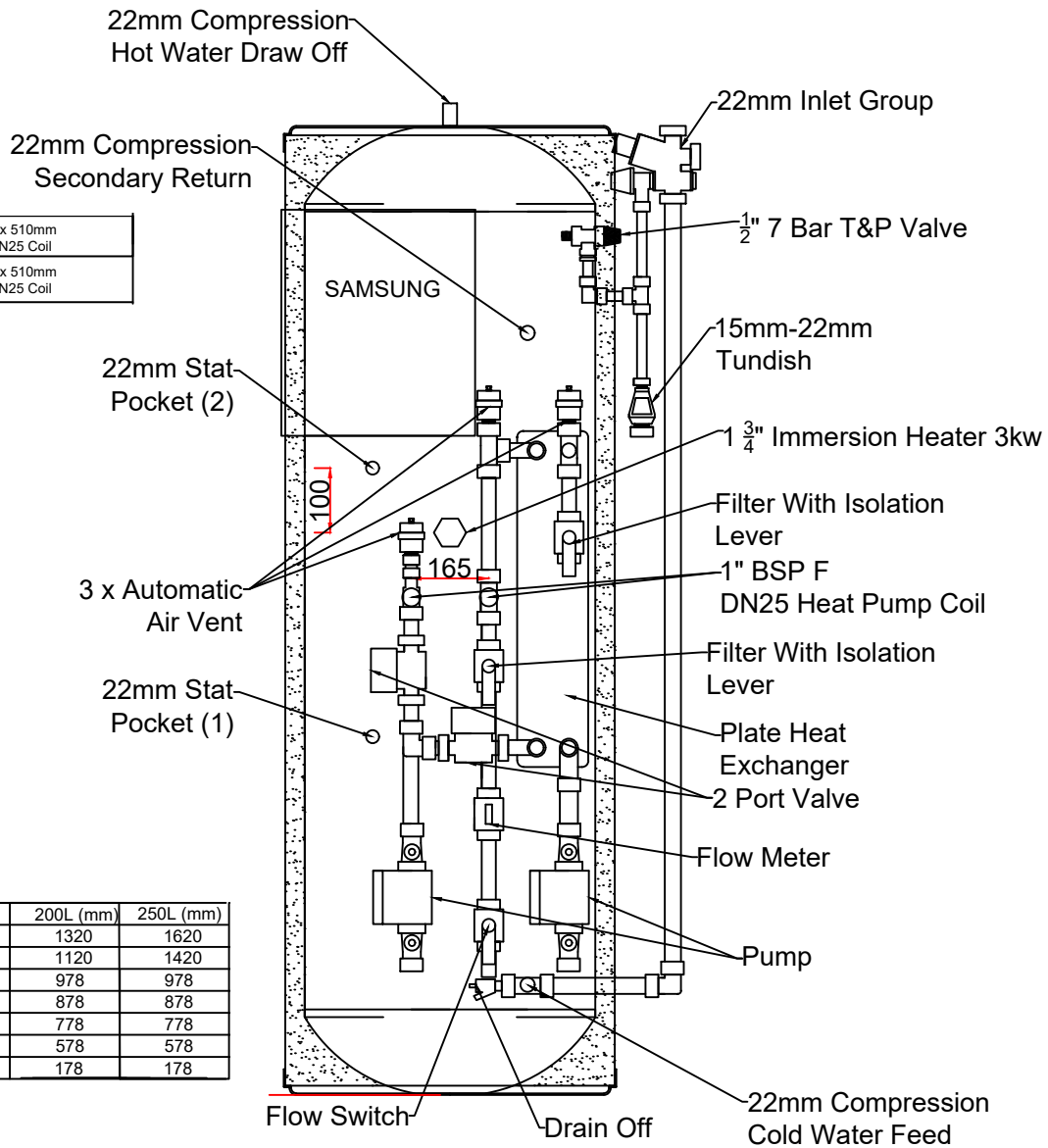
1 x 24L Expansion Vessel (200L)

1 x 19L Expansion Vessel (200L)



200L	1500mm x 510mm 4 x 5.8 DN25 Coil
250L	1800mm x 510mm 4 x 5.8 DN25 Coil

	200L (mm)	250L (mm)
T&P	1320	1620
Secondary Return	1120	1420
Stat Pocket 2	978	978
Immersion Heater	878	878
Coil Flow/Return	778	778
Stat Pocket 1	578	578
Cold Water Feed	178	178



SHELL SIZE	See Above	TITLE Freedom Heat Pump 200-250L Pre-Plumb		
FINISHED SIZE	See Above			
MATERIAL	Stainless Steel Duplex 2304	CUSTOMER Freedom	VERSION	TOLERANCE ±6mm
NOMINAL CAPACITY	See Above	DRAWN BY DW	CHECKED BY	DATE 24/02/20
MAX WORKING PRESSURE	3 Bar	Telford Copper and Stainless Cylinders Ltd Unit 22 Furrows Business Park Haybridge Road Telford TF1 2FE		DRAWING REF NO
TEST PRESSURE	9 Bar			
FINISH	Pre-Plumb-Black Steel Case			